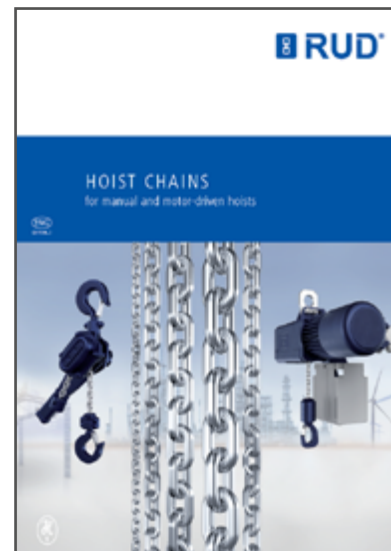


LIMIT GAUGES

MANUFACTURER	MOTORDRIVEN	MANUAL DRIVEN	DRIVEN PART NO.
CM / Yale		×	7993866
CM / Yale	×		7996272
DEMAG (DK / DC + PK)	×		7101452
GIS	×		51622
HADEF		×	7995835
HADEF (AK + GEDI)	×		7900303
KITO		×	7994684
LIFTKET	×		7992010
J.D. NEUHAUS	×		62540
R.STAHL / STAHL CRANESYS-TEMS	×		7994103
TIGER (T + VH)		×	7907394
VERLINDE / KONE / SWF	×		7993092
ABUS	×		7909386
INGERSOLL RAND	×		7913718



For more information on hoist chains for motor-driven and manual hoists, also request our **HOIST CHAINS** catalogue.

RUD PORTAL: www2.rud.com
Test certificates for hoist chains can be quickly and easily downloaded and archived!



RUD
CONVEYOR & DRIVE
NORTH AMERICA

RUD Ketten
Rieger & Dietz GmbH u. Co. KG
Friedensinsel
73432 Aalen / Germany
Tel. +49 7361 504-1382
E-Mail: hoistchains@rud.com
Web: hoistchains.rud.com



RUD Conveyor & Drive North America

29 Prince Andrew Pl, North York,
ON M3C 2H2,
Canada
Phone +1 416-900-3271

USA Warehouse

2145 Internationale Parkway
Suite-800 Woodridge, IL 60517,
USA
Phone: +1 779-232-1846

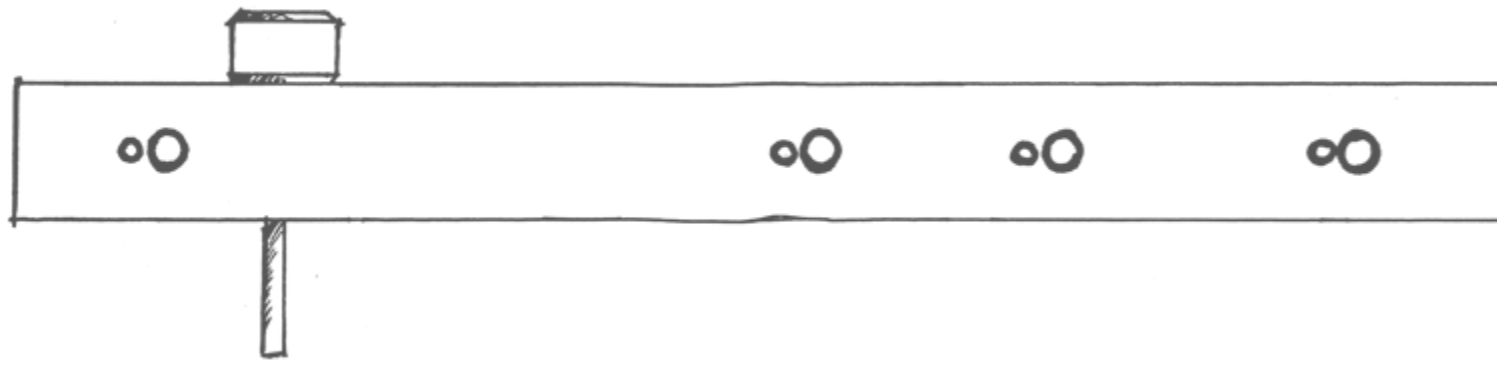
Email: info@rud-cd.com
www.rud-cd.com

RUD
CONVEYOR & DRIVE
NORTH AMERICA



LIMIT GAUGE FOR HOIST CHAINS





... OUR TOOL FOR YOUR NEXT SERVICE ...

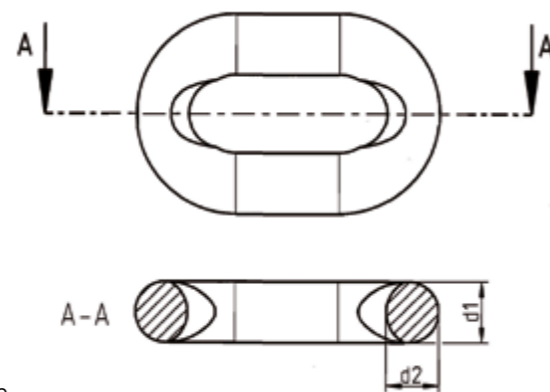
As the owner of a hoist, you are required to continuously monitor the wear and tear on your hoist chain in accordance with DIN 685 T5 or ISO 7592. This is to ensure optimum operational safety and thus avoid accidents with unforeseeable damage.

A chain may have reached its service life end due to wear of its single or multiple link pitch attachments; wear of the wire diameter, and/or plastic deformation of its chain links due to overloading.

We at RUD have developed a tool - a limit gauge - for you. With this tool, you can check a chain multiple link pitch attachment and determine whether the chain is worn.

Our limit gauges can be adapted to a manufacturer's different hoist types (each hoist manufacturer has its own chain sizes). Therefore, we need to know the hoist manufacturer and if the hoist is manual or motor-driven.

Our tool is handy, lightweight and perfectly packed, making it easy for you to tests directly on the hoist. You can measure wear on the unloaded and loaded chain strands.

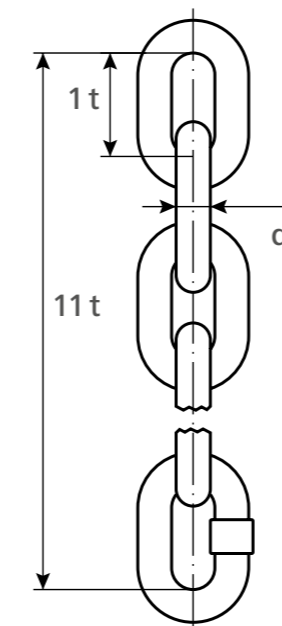


... SIMPLE SETUP FOR FAST RESULTS ...

- Our RUD limit gauge consists of an aluminium strip with guide holes for the measuring pins as well as locking holes for the locking studs attached to the measuring pin.

- The size of the chain to be tested – $d_n \times t$ – is marked below the guide holes.

The two galvanised measuring pins provided with locking studs are located, together with the limit gauge, in a high quality softshell bag



d_n = Nominal diameter
 t = inner pitch attachment
 $11t$ = Length over 11 links

... EASY HANDLING, EVEN DURING USE ...

Checking the end of service life via an external gauging (gauge length $11t + 2d_n$)

1. One of the two measuring pins is to be inserted into the first guide hole
2. Insert the second measuring pin into the respective guide hole of the chain which size is to be tested.

Gauge length $L_0 = 11t + 2d_n$
 Discard dimension $LA = L_0 + 2\%$ or 3%



Can you insert the measuring pins into the chain if the size is over $11t + 2d_n$?
 If so, the chain is still in good condition and can continue to be used.



If a chain with an over $11t$ multiple link pitch attachment has undergone a pitch attachment increase due to wear or distortion by more than 2% (motorised hoist) or 3% (manual hoist), then the measuring pins of the limit gauge can no longer be inserted into the chain. The chain has reached its service life end and must be replaced.